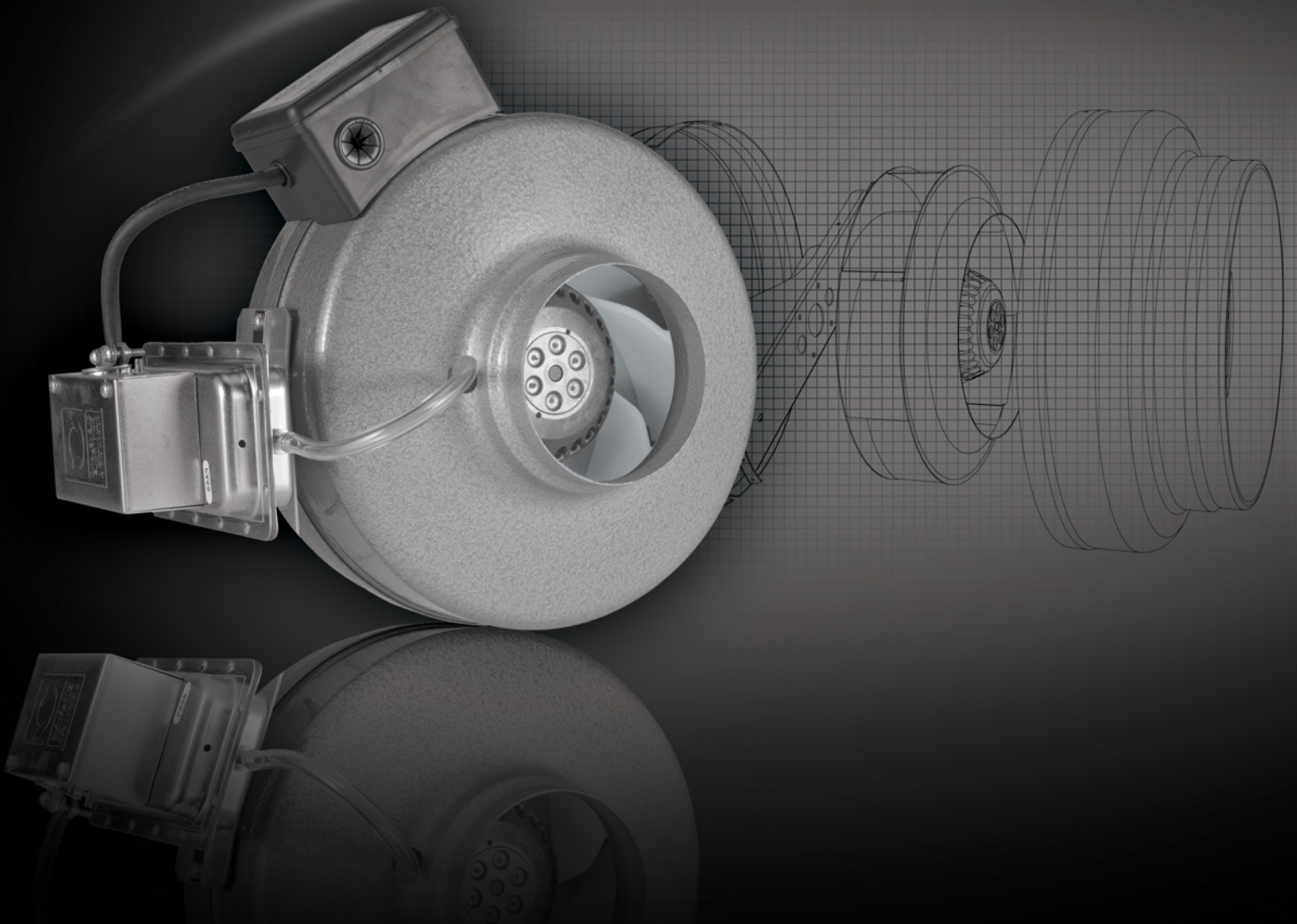




**VTX400P &  
VTX400C**  
*Applications*



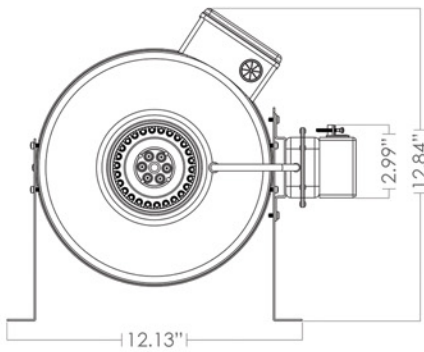
**III DRYER BOOSTING SOLUTIONS III**

Vortex Powerfans VTX400P & VTX400C inline blowers, for 4 in diameter duct, are ideal to solve the problems caused by long duct runs on clothes dryers. In a clothing dryer application, when the dryer is turned on, the VTX400P and VTX400C will automatically turn on.

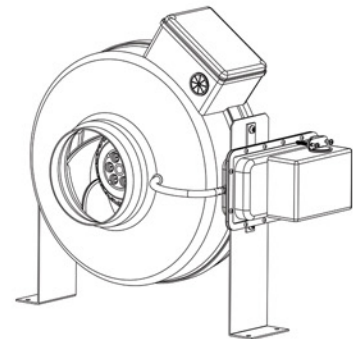
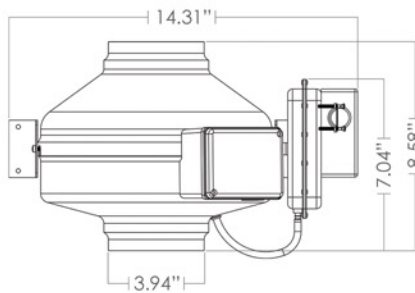
The VTX400P has a built in automatic pressure switch that detects when air is flowing through the ventilation duct. It will automatically turn on for a period of 10 minutes and shut off for a period of 15 seconds and turn back on if there is still positive pressure from the dryer.

The VTX400C is supplied with a current sensor that detects when the dryer is turned on to automatically activate the fan. The current sensor is available either with or without a five minute turn off time delay.

**VTX400P Weight & Dimensions**



Weight : 8.8 lbs.



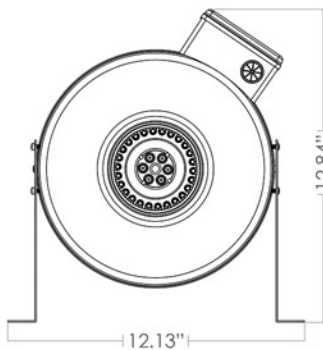
**VTX400P & VTX400C  
Performance Data**

ALL VTX PRODUCTS INCORPORATE MOTORS SUITABLE FOR 120 Volts AC 60Hz ELECTRICAL SUPPLY ONLY

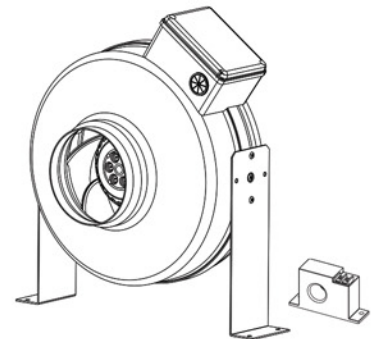
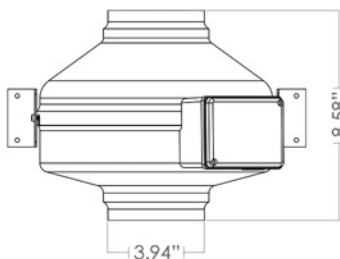
Duct Dia.	RPM	Volts	Rated Watts	Max Amps	Static Pressure in Inches W.G.											Max Ps
					0"	0.125"	0.2"	0.25"	0.375"	0.5"	0.75"	1"	1.25"	1.5"	2"	
4"	2970	120	80	0,75	220	208	200	195	183	170	144	119	95	70	18	2.175"

Performance certified is for installation type D - Ducted inlet, Ducted outlet. Speed (RPM) shown is nominal. Performance is based on actual speed of test. Performance ratings include the effects of appurtenances (accessories) Inlet Duct, Inlet Bell, Outlet Duct

**VTX400C Weight & Dimensions**



Weight : 7.4 lbs.



**When is a dryer duct booster required?**

Dryer duct boosting is typically required when duct length exceeds:

# of 90° bends	0	1	2	3
Duct (ft)	25 ft	20 ft	15 ft	10 ft
Duct (mm)	7620 mm	6096 mm	4572 mm	3048 mm

Every bend is equal to 5 linear feet.

When installing a clothing dryer duct exhaust system, please ensure to follow all applicable building codes and manufacture's recommendations.

**2 different typical installations**  
**Roof or Wall exhaust**

**Dry Facts**

Ideal clothing dryer venting arrangements with short duct length are often not possible. Both commercial and residential clothing dryers should normally dry the clothing in a timely matter. Due to venting restrictions, clothing dryers with longer duct lengths will typically take a longer time to dry and consequently consume more power. An inline vent boosting blower is a smart solution to this problem.



WHERE INNOVATION IS A STANDARD

[WWW.ATMOSPHERE.COM](http://WWW.ATMOSPHERE.COM)



CONFORMS TO  
 UL 507 and  
 CSA C22.2  
 no.113





Customer support : [info@atmosphere.com](mailto:info@atmosphere.com)  
Sales inquiries : [sales@atmosphere.com](mailto:sales@atmosphere.com)

2480 Boul. des Entreprises Terrebonne, Quebec J6X 4J8 CANADA  
T: 450.477.1100 F: 514.313.5700 TF: 1.800.489.1301  
[WWW.ATMOSPHERE.COM](http://WWW.ATMOSPHERE.COM)